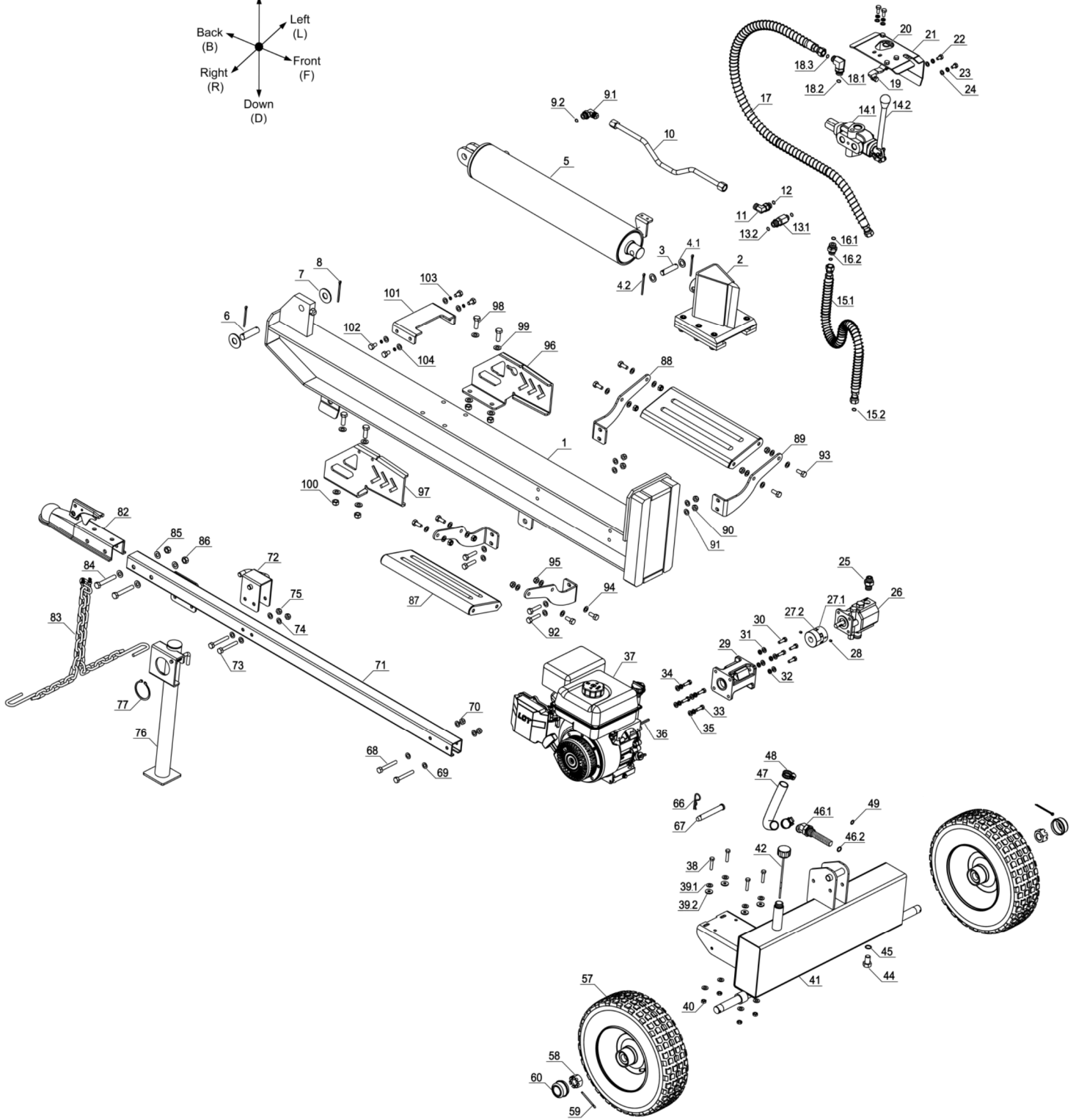
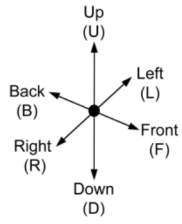


# EXPLODED DIAGRAM & PARTS LIST



REF #	PART #	PART NAME	SPECIFICATIONS	QTY PER UNIT
1	310-658	Beam incl. End Plate 25 Ton	10-10-8	1
	310-346	Beam incl. End Plate 30 Ton	10-12-8	
	310-471	Beam incl. End Plate 35 Ton	12-12-10	
2	530-421	Splitting Wedge w/ Guides 25 / 30 Ton	Guide12	1
	530-423	Splitting Wedge w/ Guides 35 Ton	Guide14	
3	760-118	Pin	PH, Ø16*69-Ø4.5	1
4.1	750-566	Flat Washer	PH, M16	2
4.2	760-734	Split Pin	ZP, Ø4*35	2
5	530-468	Cylinder 25 Ton	4.0 in. * 22.6in.	1
	530-473	Cylinder 30 Ton	4.5 in. * 22.6in.	
	530-485	Cylinder 35 Ton	5.0 in. * 22.6in.	
6	760-112	Pin	PH, Ø20*72-Ø3.5	1
7	750-423	Flat Washer	PH, M20	2
8	760-755	Split Pin	ZP, Ø3*40	2
9.1	510-356	Adapter	90 Degree, Hex19/ Hex24	1
9.2	730-077	O Seal Ring	Ø21*2.4	1
10	560-427	Hydraulic Hose for A-Capacity		1
11	510-356	Hydraulic Adaptor for A-Capacity	90 Degree, Hex19/ Hex24	1
12	730-077	O Seal Ring	Ø21*2.4	1
13.1	510-464	Hydraulic Adaptor for B-Capacity	Straight, Hex27*43	1
13.2	730-077	O Seal Ring	Ø21*2.4	2
14.1	520-799	Hydraulic Valve		1
14.2	520-452	Control Handle	Ø15*220, Ball Grip	1
15.1	560-454	Connecting Hydraulic Hose w/ Protection Spring	½"*900	1
15.2	730-619	O Seal Ring	Ø15*1.9	2
16.1	730-088	O Seal Ring	Ø24*2.4	1
16.2	510-448	Hydraulic Adapter on Valve for Connecting Hose	Straight, Hex27*36.5	1
17	560-523	Oil Return Hose w/ Protection Spring	1/2*1400	1
18.1	510-469	Hydraulic Adapter	90 Degree, Hex27, 1/2"hose	1
18.2	730-088	O Seal Ring	Ø24*2.4	1
18.3	730-619	O Seal Ring	Ø15*1.9	1
19	520-532	Handle Release Lever	WD	1
20	520-578	Extension Spring	Ø8*53	1
21	350-224	Valve Cover	WD	1
22	710-637	Hex Head Bolt	ZP, M8*20 (8.8)	4
23	750-834	Spring Washer	ZP, M8	4
24	750-638	Flat Washer	ZP, M8	4
25	510-432	Hydraulic Adapter on Pump for Connecting Hose	Straight, Hex27*45	1
26	550-412	Two Stage Pump	11gpm (25T)	1
	550-533	Two Stage Pump	16gpm ( 30 / 35T)	
27.1	550-702	Coupling Shaft	3/4" (25/30T)	1
	550-703	Coupling Shaft	1" (35T)	
27.2	550-706	Coupling Spider		1
28	740-600	Set Screw	Black Oxide, M6*10	2
29	550-814	Pump Mount	Al, 25 / 30T	1
	550-818	Pump Mount	Al, 35T	
30	710-637	Hex Head Bolt	ZP, M8*20 (8.8)	4
31	750-638	Flat Washer	ZP, M8	4
32	750-834	Spring Washer	ZP, M8	4
33	710-632	Hex Head Bolt	ZP, 5/16-24*20 (8.8)	4

REF #	PART #	PART NAME	SPECIFICATIONS	QTY PER UNIT
34	750-617	Flat Washer	ZP, 5/16	4
35	750-844	Spring Washer	ZP, 5/16	4
36	770-123	Engine Shaft Square Key	3/16 X 1.75 (25 / 30T)	1
	770-125	Engine Shaft Square Key	1/4 X 2.165 (35T)	
37*	CR950	Gas Engine (B&S 6.5)	25T	1
	XR1150	Gas Engine (B&S 8.0)	30T	
	XR1450	Gas Engine (B&S 10.0)	35T	
38	710-693	Hex Head Bolt	ZP, M8*40 (25 / 30T)	4
	710-553	Hex Head Bolt	ZP, M10*40(35T)	
39.1	750-638	Flat Washer	ZP, M8 (25 / 30T)	8
	750-525	Flat Washer	ZP, M10 (35T)	
39.2	960-429	Vibration Isolator 22/25/28 Ton	Ø24*Ø9*3	4
	960-430	Vibration Isolator 30/35 Ton	Ø24*Ø11*3	
40	720-500	Lock Nut	ZP, M8 (25 / 30T)	4
	720-120	Lock Nut	ZP, M10 (35T)	
41	540-924	Reservoir Tank	WD25T	1
	540-931	Reservoir Tank	WD30/35T	
42	540-329	Vented Dipstick	Ø4.35*186	1
44	710-877	Oil Drain Screw	PH, M16*15	1
45	730-064	O Seal Ring	Ø20*2.4	1
46.1	540-049	Suction filter	45 Degree Adapter, Hex32	1
46.2	730-122	O Seal Ring	Ø30*3.1	1
47	560-342	Oil Suction Hose	Ø24*300,Curved	1
48	760-377	Hose Clamp	1"	2
49	730-619	O Seal Ring	Ø15*1.9	1
57	330-524	Wheel	Pneumatic, 16*4.8*8 in.	2
58	720-836	Castle Nut	ZP, 1-14	2
59	760-744	Split Pin	ZP, Ø4*50	2
60	330-631	Dust Cap		2
66	760-679	Spring Clip	ZP, Ø3	1
67	760-254	Clevis Pin	ZP, Ø15*120	1
68	710-580	Hex Head Bolt	ZP, M10*75 (8.8)	2
69	750-525	Flat Washer	ZP, M10	4
70	720-120	Lock Nut	ZP, M10	2
71	320-443	Tongue	WD	1
72	320-845	Horizontal Beam Lock	WD	1
73	710-568	Hex Head Bolt	ZP, M10*70 (8.8)	2
74	750-525	Flat Washer	ZP, M10	4
75	720-120	Lock Nut	ZP, M10	2
76	320-806	Flip-down Stand		1
77	760-522	Circlip	Ø65	1
82	320-420	Hitch Coupler	2"*2"	1
83	320-421	Safety Chain		2
84	710-433	Hex Head Bolt	ZP, M12*75 (8.8)	2
85	750-621	Flat Washer	ZP, M12	4
86	720-536	Lock Nut	ZP, M12	2
87	320-942	Log Tray Plate	WD	2
88	320-940	Log Tray Frame (FR, BL)	WD	2

REF #	PART #	PART NAME	SPECIFICATIONS	QTY PER UNIT
89	320-948	Log Tray Frame (FL, BR)	WD	2
90	720-120	Lock Nut	ZP, M10	4
91	750-525	Flat Washer	ZP, M10	8
92	710-556	Hex Head Bolt	ZP, M10*45 (8.8)	4
93	710-520	Hex Head Bolt	ZP, M10*25 (8.8)	8
94	750-525	Flat Washer	ZP, M10	16
95	720-120	Lock Nut	ZP, M10	8
96	320-926	Log Dislodger (L)		1
97	320-927	Log Dislodger (R)		1
98	710-438	Hex Head Bolt	ZP, M12*35 (8.8)	4
99	750-621	Flat Washer	ZP, M12	8
100	720-536	Lock Nut	ZP, M12	4
101	320-949	Dislodger Top Plate		1
102	710-516	Hex Head Bolt	ZP, M10*20	4
103	750-401	Spring Washer	ZP, M10	4
104	750-525	Flat Washer	ZP, M10	4

**37\*** Gas engine applied on your unit may be different from Briggs & Stratton engine due to local distributor's option, eg. Subaru, Kohler or other named brand engines of high reputation.